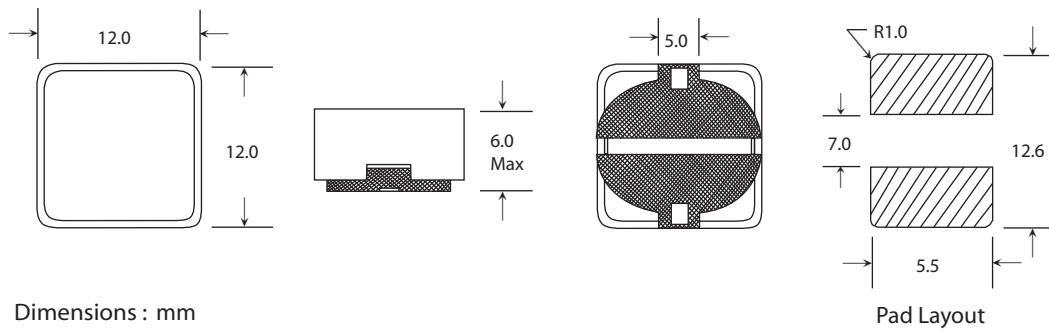


RoHS
COMPLIANT

Mechanical Specification



Dimensions : mm
Tol : ±0.3

Special Features

- High current capacity
- Magnetic shielded for low radiation
- Ferrite bobbin core
- Low core loss for high frequency power application
- Compact size
- Large terminal surface for good PCB bonding
- Operating temperature -30°C to +100°C
- Tape & reel packaged 500/reel

Notes

- * Current to cause maximum 25% of inductance drop, or 40°C temperature rise

Electrical Specification

VV-8013 SERIES

Part Number	L(μH) ±20% @1KHz	DCR (Ω) Max.	I,DC* (A)
VV-8013-100M	10	0.025	4.0
VV-8013-120M	12	0.027	3.5
VV-8013-150M	15	0.030	3.3
VV-8013-180M	18	0.034	3.0
VV-8013-220M	22	0.036	2.8
VV-8013-270M	27	0.051	2.3
VV-8013-330M	33	0.057	2.1
VV-8013-390M	39	0.068	2.0
VV-8013-470M	47	0.075	1.8
VV-8013-560M	56	0.11	1.7
VV-8013-680M	68	0.12	1.5
VV-8013-820M	82	0.14	1.4
VV-8013-101M	100	0.16	1.3
VV-8013-121M	120	0.17	1.1
VV-8013-151M	150	0.23	1.0
VV-8013-181M	180	0.29	0.90
VV-8013-221M	220	0.40	0.80
VV-8013-271M	270	0.46	0.75
VV-8013-331M	330	0.51	0.68
VV-8013-391M	390	0.69	0.65
VV-8013-471M	470	0.77	0.58
VV-8013-561M	560	0.86	0.54
VV-8013-681M	680	1.20	0.48
VV-8013-821M	820	1.34	0.43
VV-8013-102M	1000	1.53	0.40